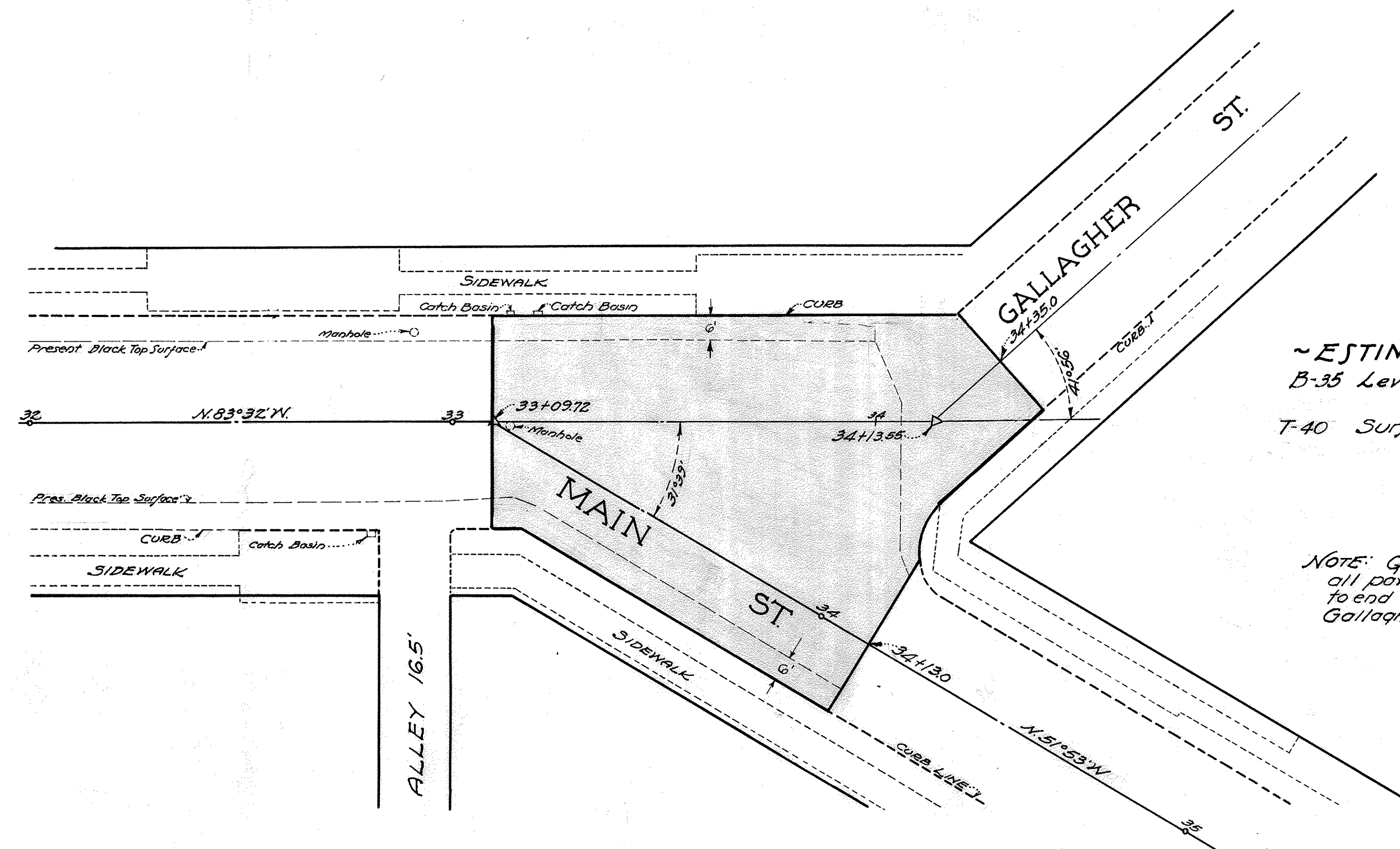


FED. RD. DIST. NO.	STATE	PROJECT	FISCAL YEAR
10	OHIO		1943

6
7

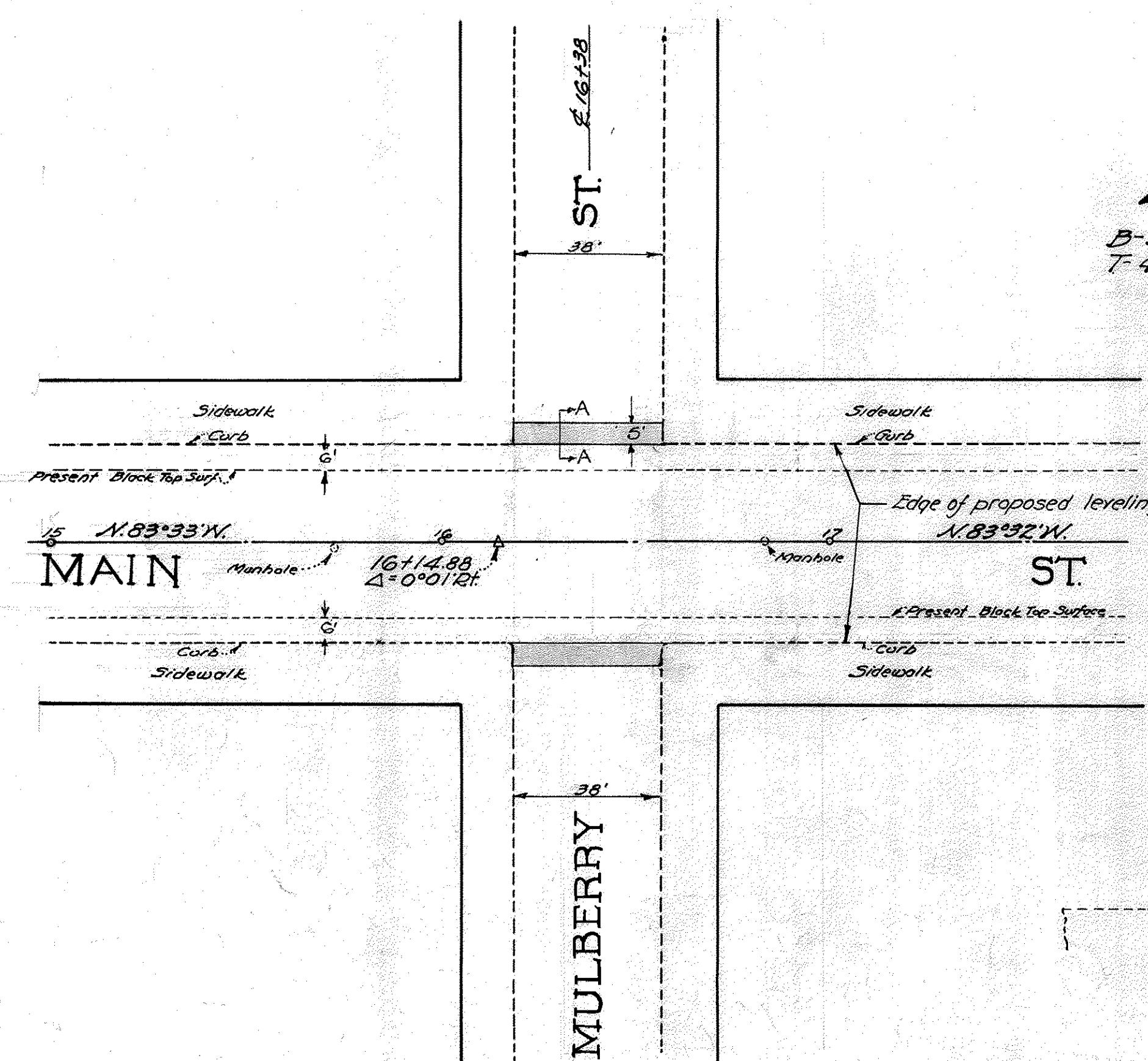
S.H. 155 ~ SEC. "LOGAN (PT)
S.H. 360 ~ SEC. "LOGAN (PT)
~ HOCKING COUNTY ~



~ ESTIMATED QUANTITIES ~
B-35 Leveling = 38 Cu.Yds.
T-40 Surface = 898 Sq.Yds.

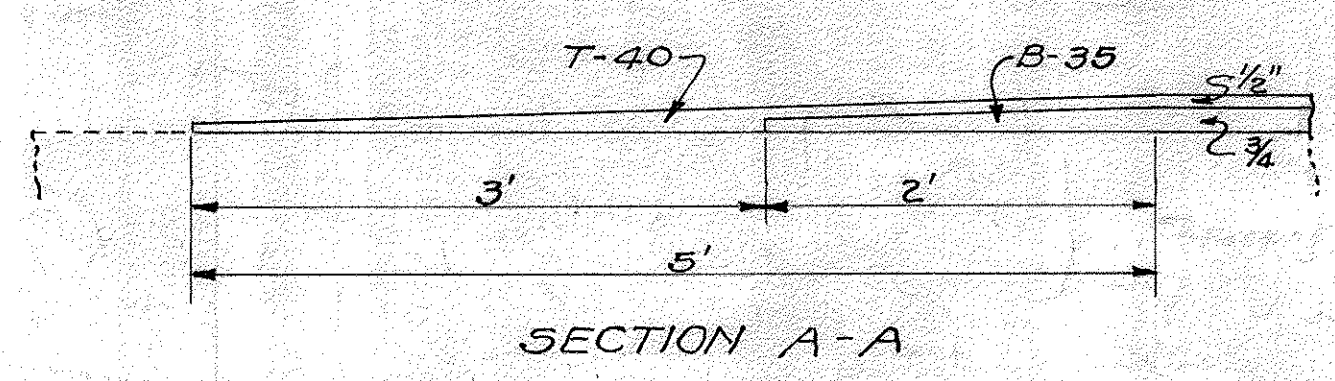
NOTE: Quantities as shown above include all pavement quantities from Sta. 33+09.7 to end of project which is Sta. 34+35.0 on Gallagher St. & Sta. 34+13.0 on Main St.

Scale = 1" = 20'

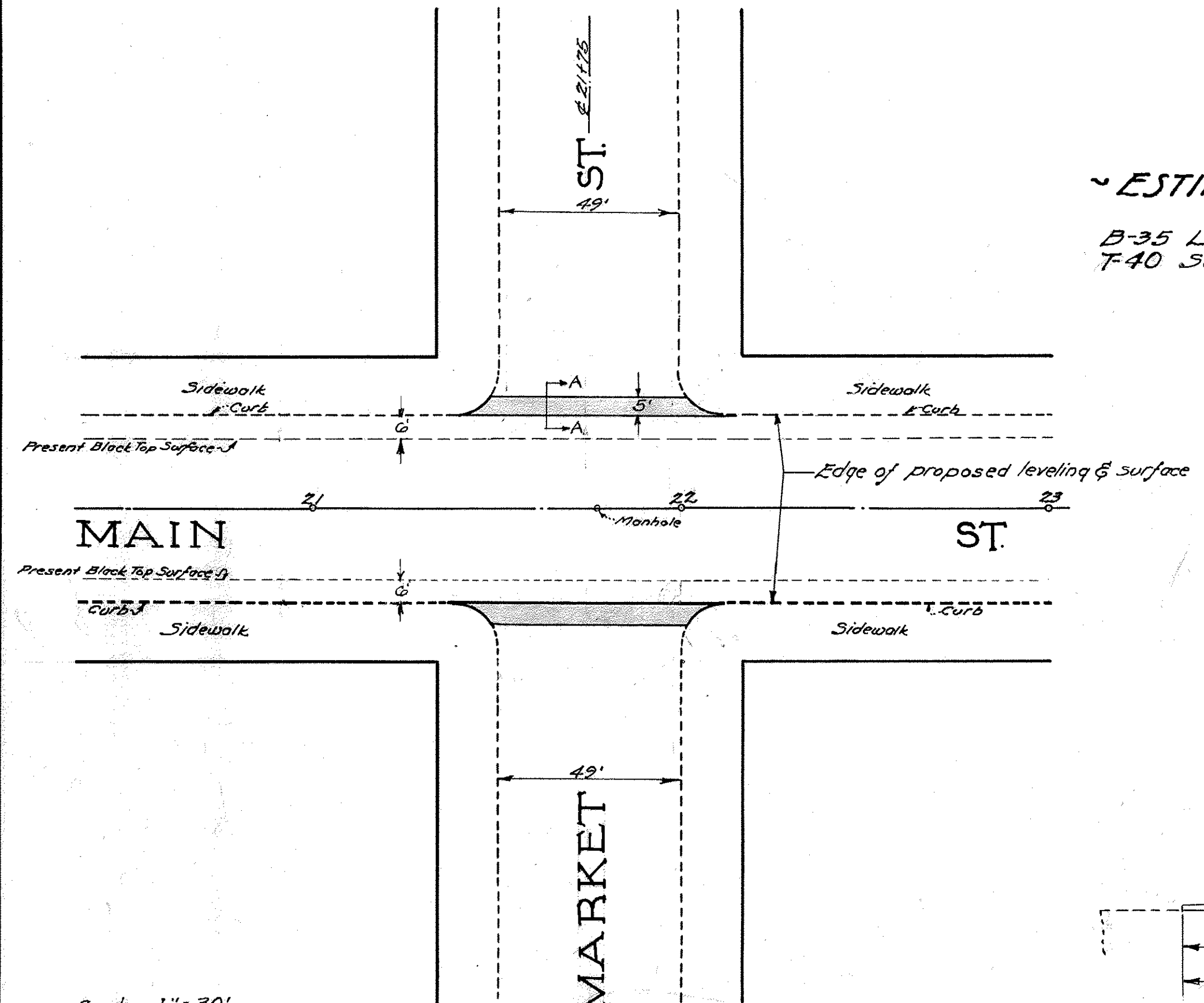


ESTIMATED QUANTITIES
B-35 Leveling = 0.24 Cu.Yds.
T-40 Surface = 42 Sq.Yds.

Note: B-35 Leveling quantities as shown above is for all leveling material outside of normal 50' pav. surface between Sta. 16+13.0 and Sta. 16+57.0
T-40 Surface as shown above is for area of turnout outside of normal 50' surfacing lines

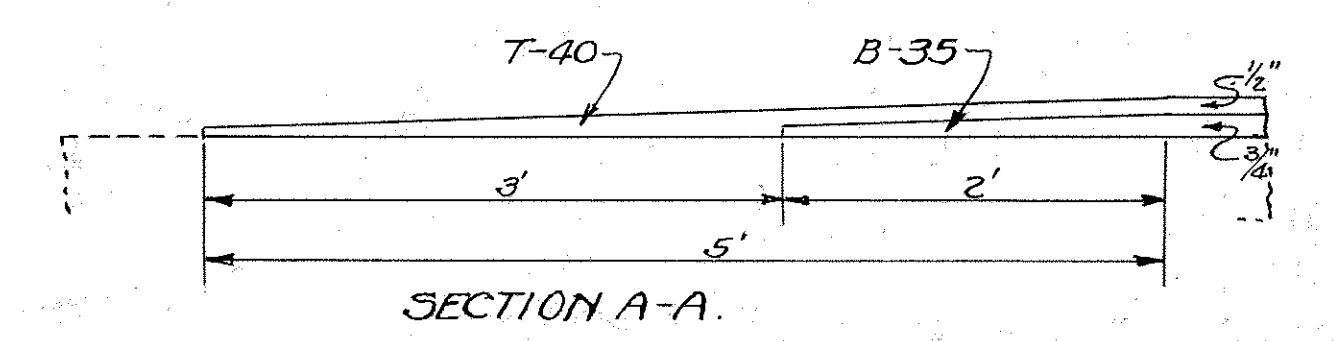


Scale 1" = 30'



~ ESTIMATED QUANTITIES ~
B-35 Leveling = 0.38 Cu.Yds.
T-40 Surface = 63 Sq.Yds.

Note: B-35 Leveling quantities as shown above is for all leveling material outside of normal 50' pav. surface between Sta. 21+50.5 and Sta. 21+99.5
T-40 Surface as shown above is for area of turnout outside of normal 50' surfacing lines.



Scale 1" = 30'