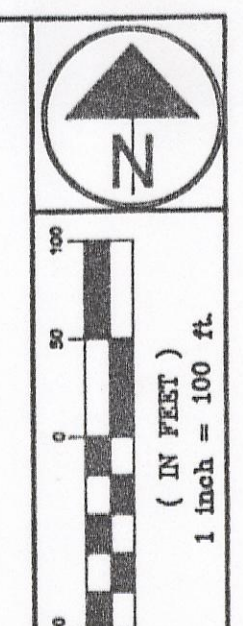


# CENTERLINE SURVEY PLAT

HOC-216-03.61

HOCKING COUNTY, OHIO  
WARD TOWNSHIP SEC. 18 T13N-R15W



FEDERAL PROJECT NO. STP  
STATE PROJECT NO. 109450

CENTERLINE SURVEY PLAT

HOC-216-03.61

1/4  
31  
34

**CENTERLINE OF SURVEY CURVE DATA:**

P.I. Sta. = 54+41.16  
P.C. Sta. = 50+44.37  
P.T. Sta. = 58+18.54

Dc = 04'00"  
Δ = 30'58"  
R = 1432.39'  
T = 396.79'  
L = 774.17'

**CENTERLINE OF CONST. CURVE DATA:**

P.I. Sta. = 192+20.69  
P.C. Sta. = 188+56.27  
P.T. Sta. = 195+68.79

Dc = 04'09'28"  
Δ = 29'37'33"  
R = 1378.00'  
T = 364.42'  
L = 712.52'

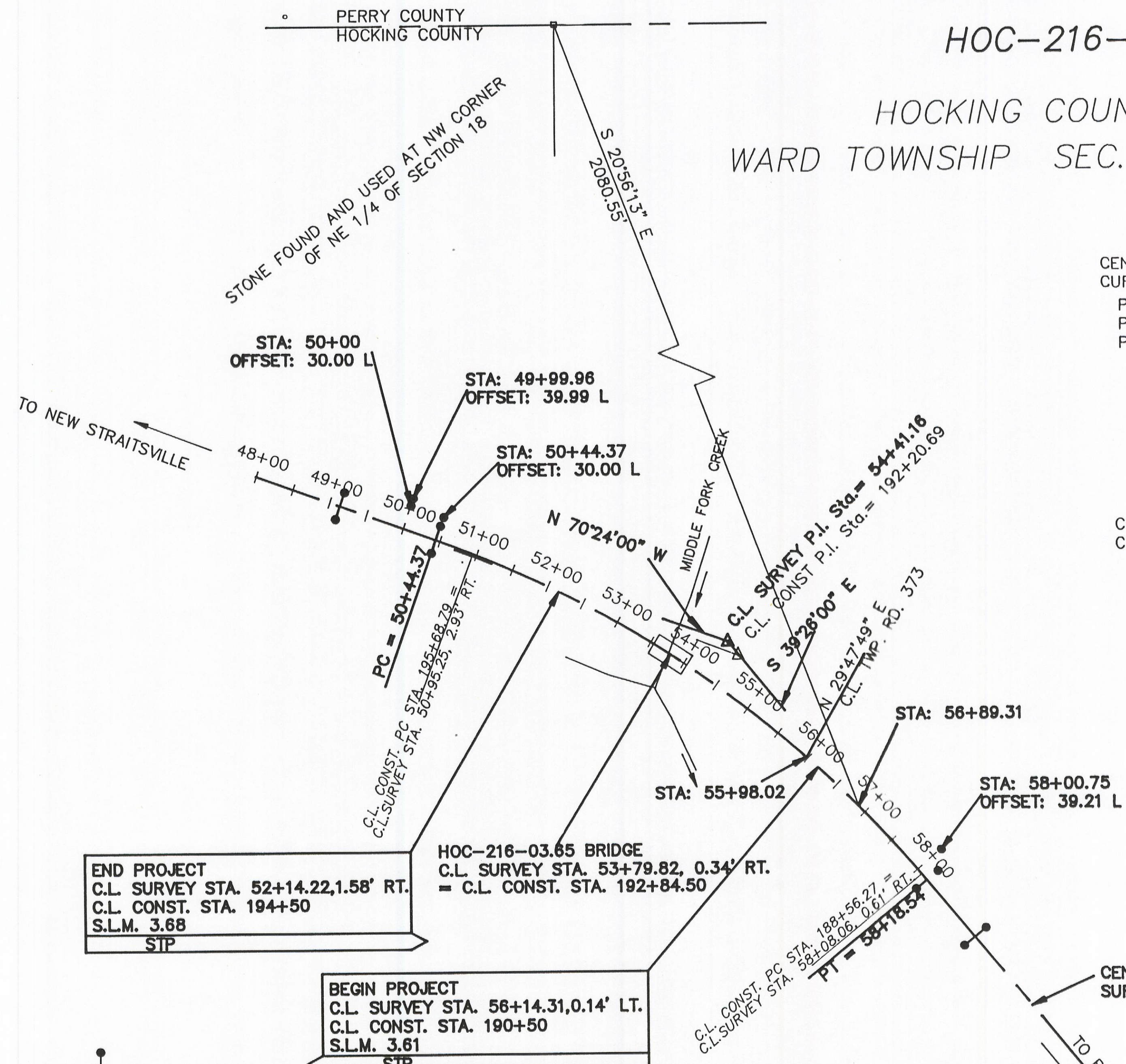
**LEGEND:**

- = RIGHT OF WAY MONUMENT FOUND
- = STONE FOUND AND USED
- = REFERENCE MONUMENT PROPOSED (SEE DETAIL)

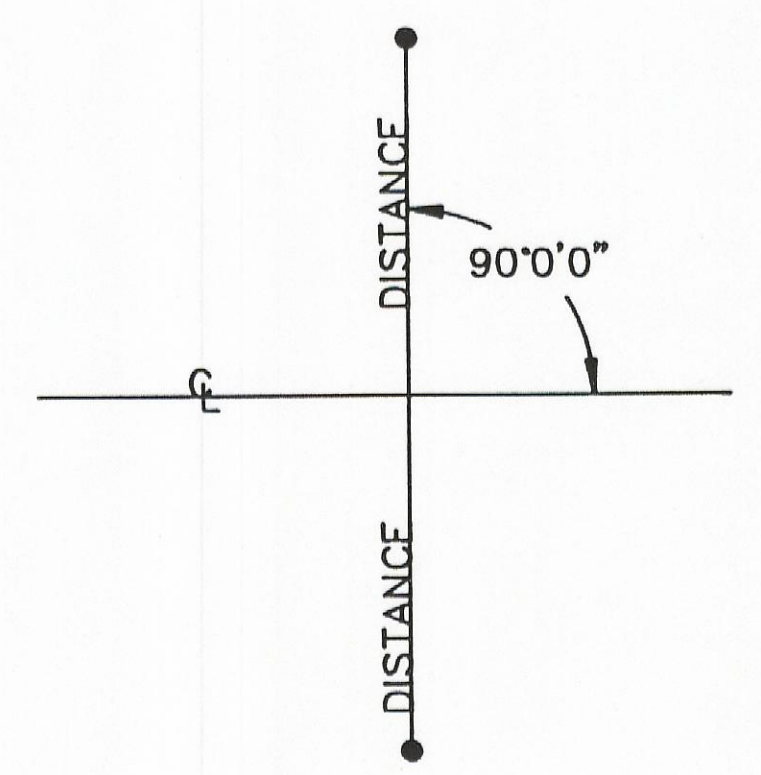
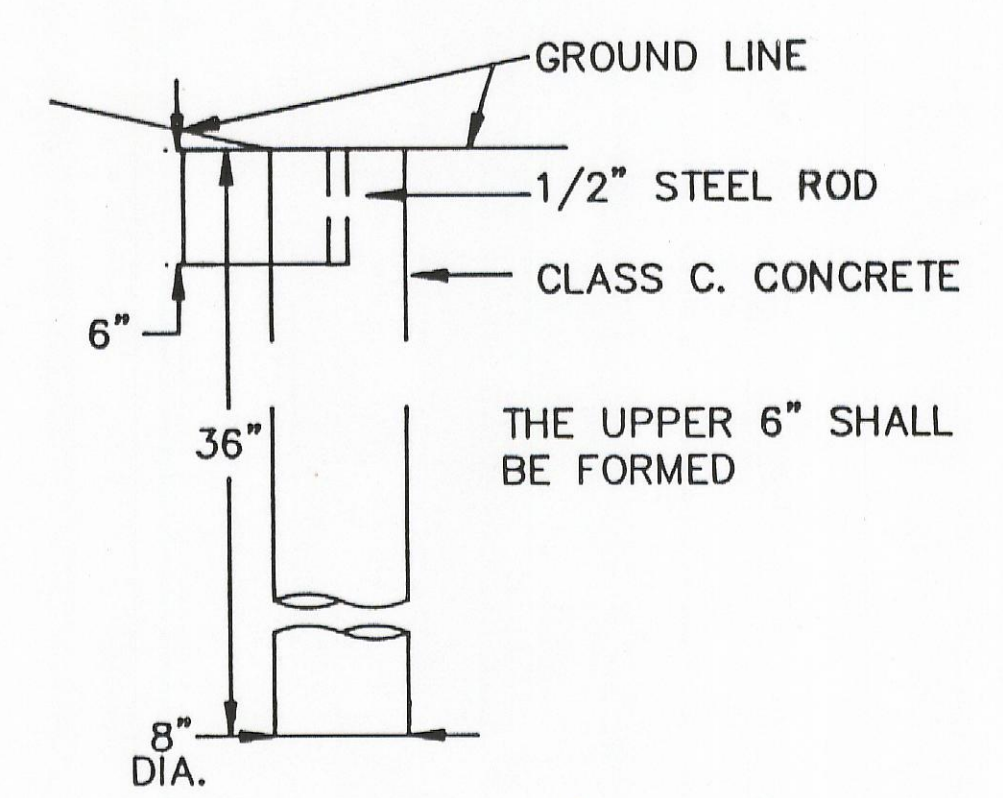
NOTE: BASIS OF BEARING FOR THIS SURVEY IS BASED UPON RECORD RIGHT OF WAY MONUMENTATION AND IS USED TO DENOTE ANGULAR RELATIONSHIPS ONLY.  
-- REFERENCE: PRIOR RIGHT OF WAY PLAN S.H. 518 SEC.C 1931 PG.1 OF 3

NOTE:  
ITEM 604, CENTERLINE REFERENCE MONUMENTS, SHALL BE SET BY THE CONTRACTOR, AS SHOWN ON THESE PLANS, DURING CONSTRUCTION. THE MONUMENTS WILL HAVE AN ACCURACY OF +/- 0.02 FEET. THE MONUMENTS WILL BE SET UNDER THE DIRECTION OF THE DISTRICT 10 SURVEY OPERATIONS MANAGER.

ITEM-604 REFERENCE MONUMENT TABLE			
CENTERLINE STATION	LEFT OFFSET	RIGHT OFFSET	MON.
STA. 49+13.97	18.00'	18.00'	2
P.C. STA. 50+44.37	18.00'	18.00'	2
P.T. STA. 58+18.54	18.00'	18.00'	2
STA. 59+14.34	18.00'	18.00'	2
		TOTAL	8



**MONUMENT DETAIL**



RECEIVED \_\_\_\_\_, 19 \_\_\_\_  
RECORDED \_\_\_\_\_, 19 \_\_\_\_  
BOOK \_\_\_\_\_ PAGE \_\_\_\_  
\_\_\_\_\_  
COUNTY RECORDER

I HEREBY CERTIFY THAT THIS PLAT IS A TRUE DELINEATION OF A SURVEY MADE FOR ROBERT P. MADISON INT'L. FOR THE OHIO DEPARTMENT OF TRANSPORTATION IN 1994 BY CANTER SURVEYING & MAPPING.  
*Robert C. Canter*  
REGISTERED SURVEYOR NO. 7226  
DATE 2/24/1995

