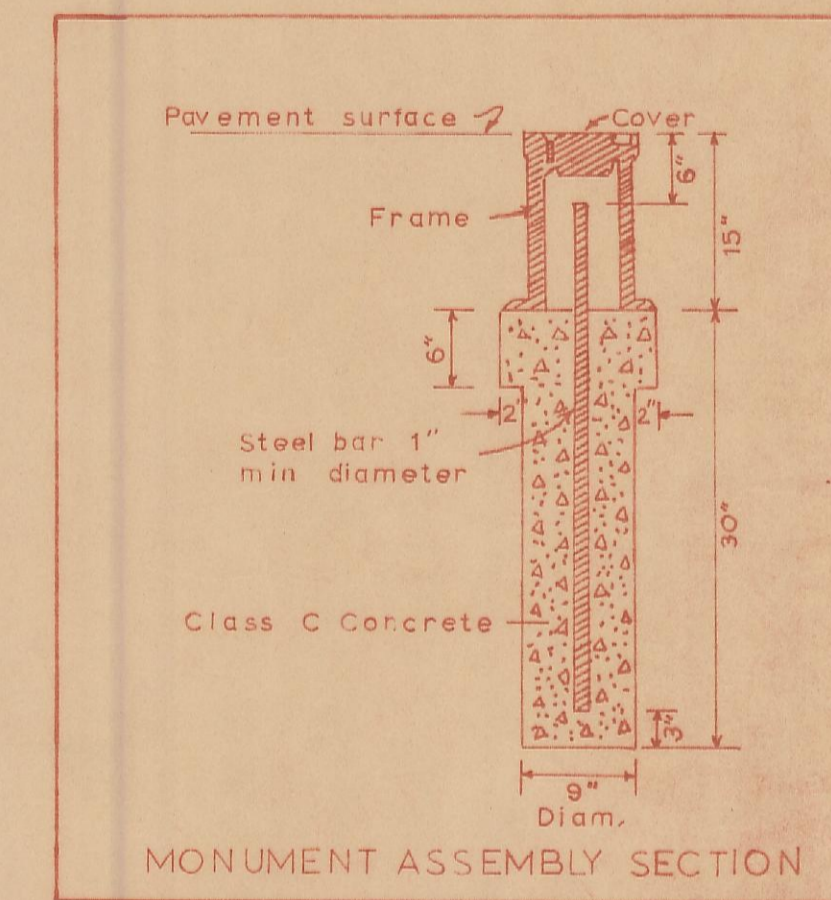
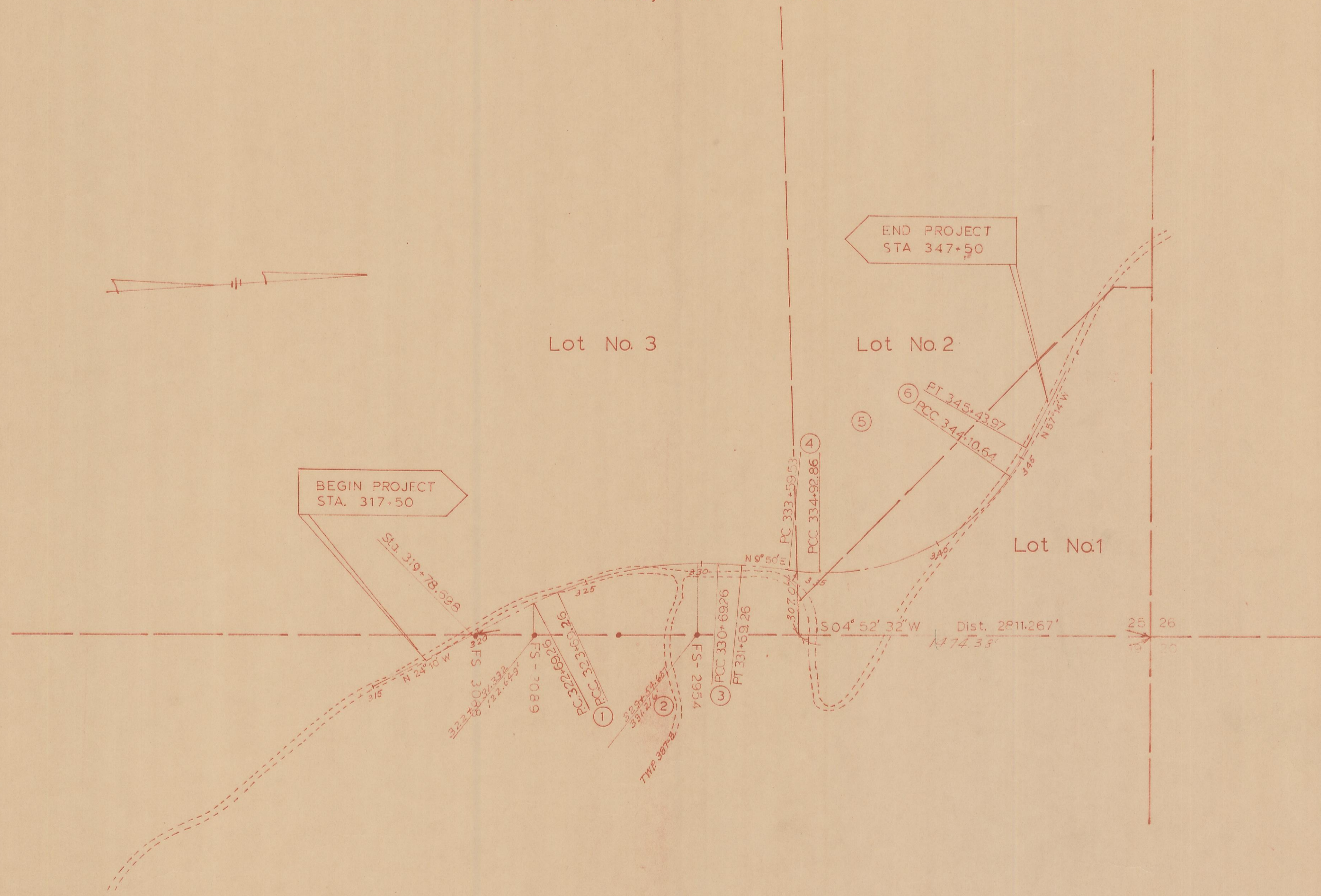


CENTERLINE SURVEY PLAT
HOC-278-6.00
WARD TOWNSHIP
Sec's 19 & 25, R15W - T13N

Date Received _____
Date Recorded _____
Book _____ Page _____
Signed _____
County Recorder _____
Date _____



MONUMENT ASSEMBLIES SHALL BE SET ON CENTER LINE OF SURVEY AT THE FOLLOWING STATIONS

- POT. 317+00
- POT. 320+00
- PCC 323+69.26
- PCC 327+00
- PCC 330+69.26
- POT. 332+25
- POT. 332+75
- PCC 334+92.86
- PCC 340+00
- PCC 344+10.64
- POT. 346+25
- POT 347+50

①	②	③	④	⑤	⑥
PI = 323+19.27	PI = 327+32.38	PI = 331+19.27	PI = 334+26.27	PI = 340+26.86	PI = 344+77.38
$\Delta = 3^{\circ}00'$ Rt.	$\Delta = 28^{\circ}00'$ Rt.	$\Delta = 3^{\circ}00'$ Rt.	$\Delta = 6^{\circ}00'$ Lt.	$\Delta = 55^{\circ}04'$ Lt.	$\Delta = 6^{\circ}00'$ Lt.
D = 3' 00'	D = 4' 00'	D = 3' 00'	D = 4' 30'	D = 6' 00'	D = 4' 30'
T = 50.01'	T = 357.139'	T = 50.01'	T = 66.74'	T = 497.815'	T = 66.74'
L = 100.00'	L = 700.00'	L = 100.00'	L = 133.33'	L = 917.78'	L = 133.33'
R = 1909.86'	R = 1432.396'	R = 1909.86'	R = 1273.24'	R = 954.93'	R = 1273.24'

I hereby certify that this plat is a true delineation of a survey made for the Ohio Department of Highways in 1965
Signed _____
Registered Surveyor No. _____
Date _____

