

CENTER LINE SURVEY PLAT

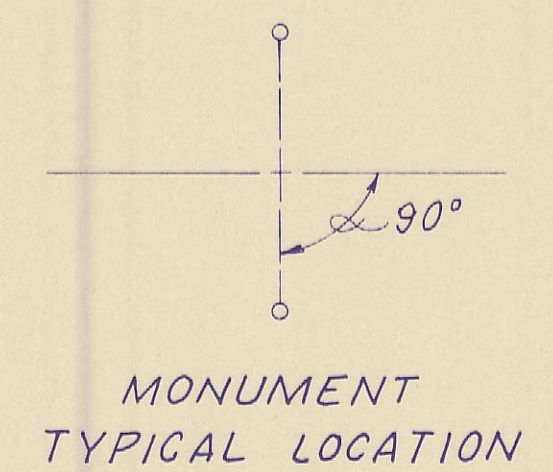
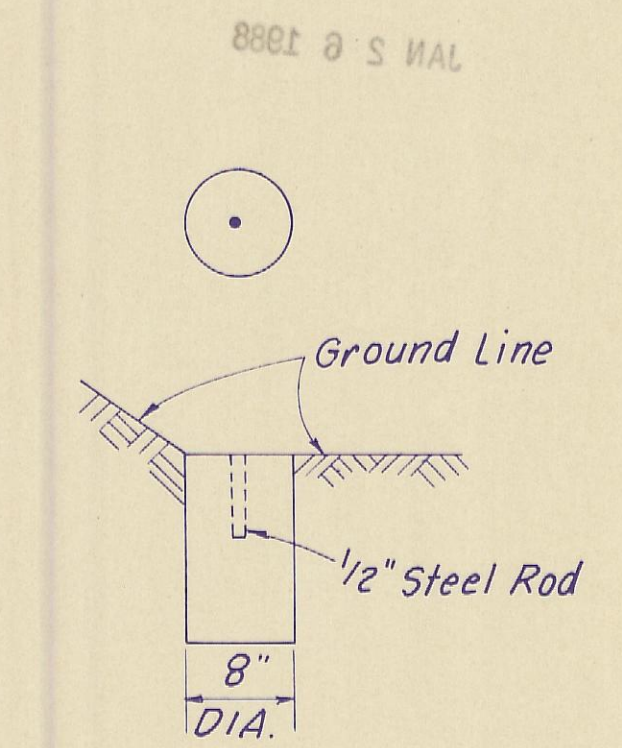
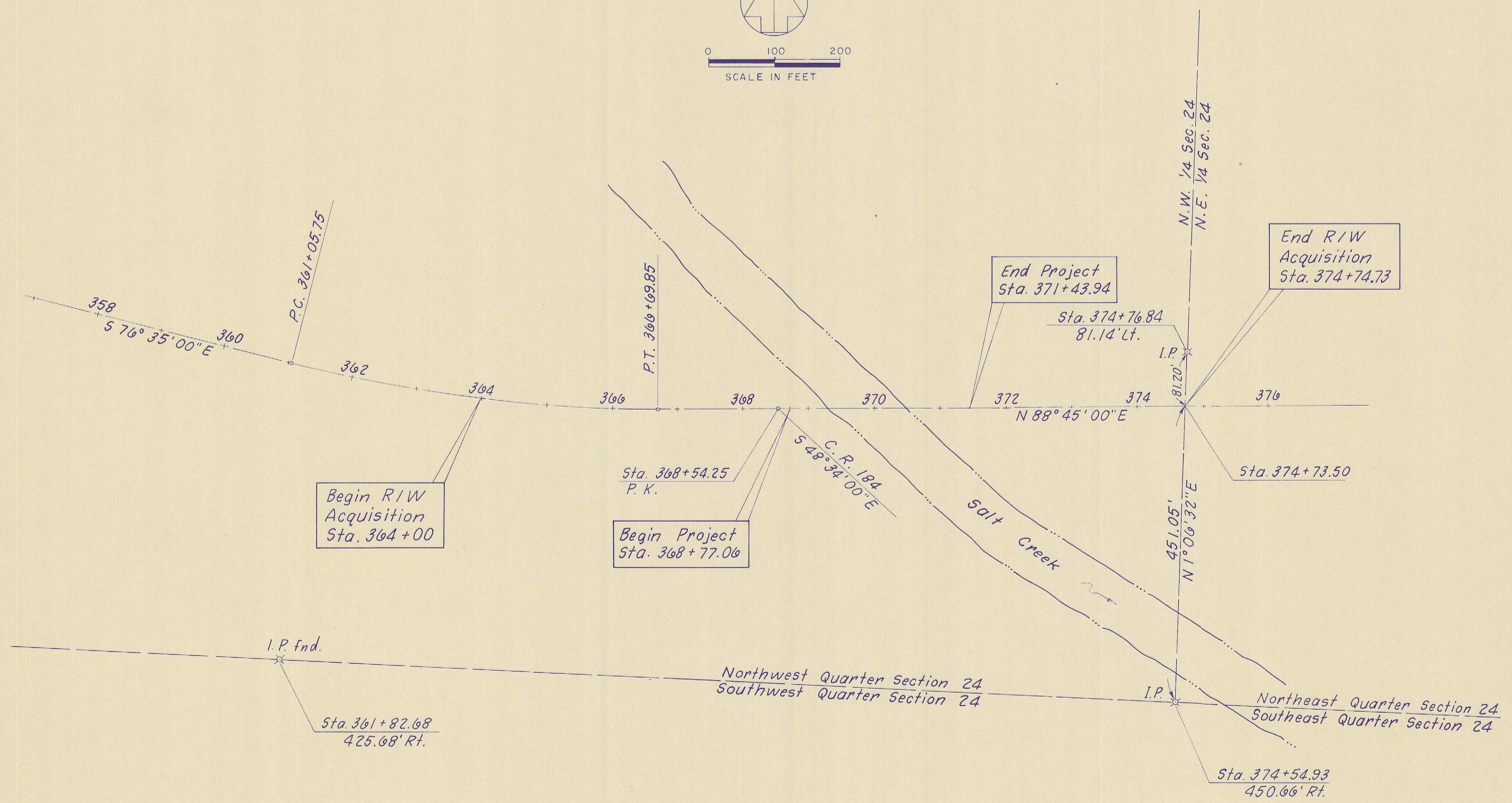
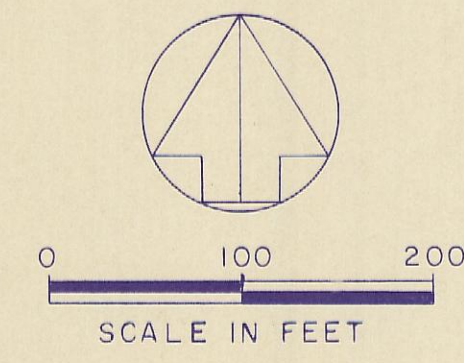
STATE ROUTE 56 SEC. 6.99

HOCKING COUNTY, SALT CREEK TOWNSHIP

SEC. 24, T. II, R. 19

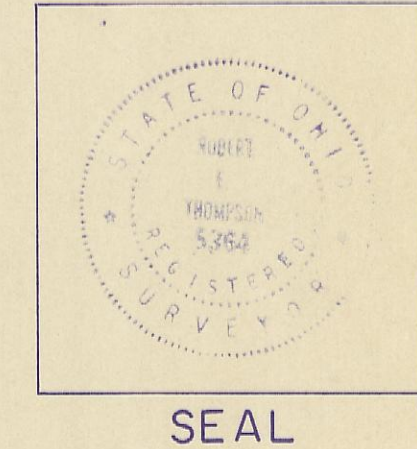
DATE BY	G.P.S. 3/87	OHIO	32 35
DATE	3/87	HWA REGION	5
FEDERAL PROJECT	BRS-823 (5)	STATE JOB NO.	105330

R/W PLAN
PART II



Received _____ 19
Received _____ 19
Book _____ Page _____
County Recorder

Signed _____
Date _____ District Deputy Director



LOCATION OF MONUMENTS		
STATION	MONUMENTS	
	Left	Right
P.O.T. 360+89.35 O.D.O.T.#101	18'	18'
P.O.C. 364+00	18'	18'
P.T. 366+69.85	16'	18'
P.O.T. 371+80.16	16'	18'
P.O.T. 374+00	18'	18'
P.O.T. 374+80.08 O.D.O.T.#205	18'	18'

CURVE DATA	
P.I. Back	363+89.35
Dc	2°36'00"
Δ	14°40'00" Lt.
T	283.60'
E	18.17'
L	564.10'
R	2203.68'

I hereby certify that this plat is a true delineation of a survey made for the Ohio Department of Transportation in 1986 by Burgess & Niple, Limited.

Robert E. Thompson No. 5364 Date *April 23, 1987*
Completion Date 9-3-87

F.B.	1-20-88	Added Part II
REV.	DATE	DESCRIPTION