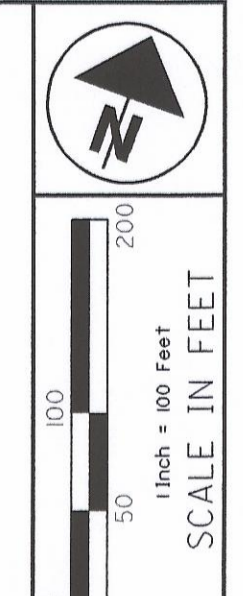


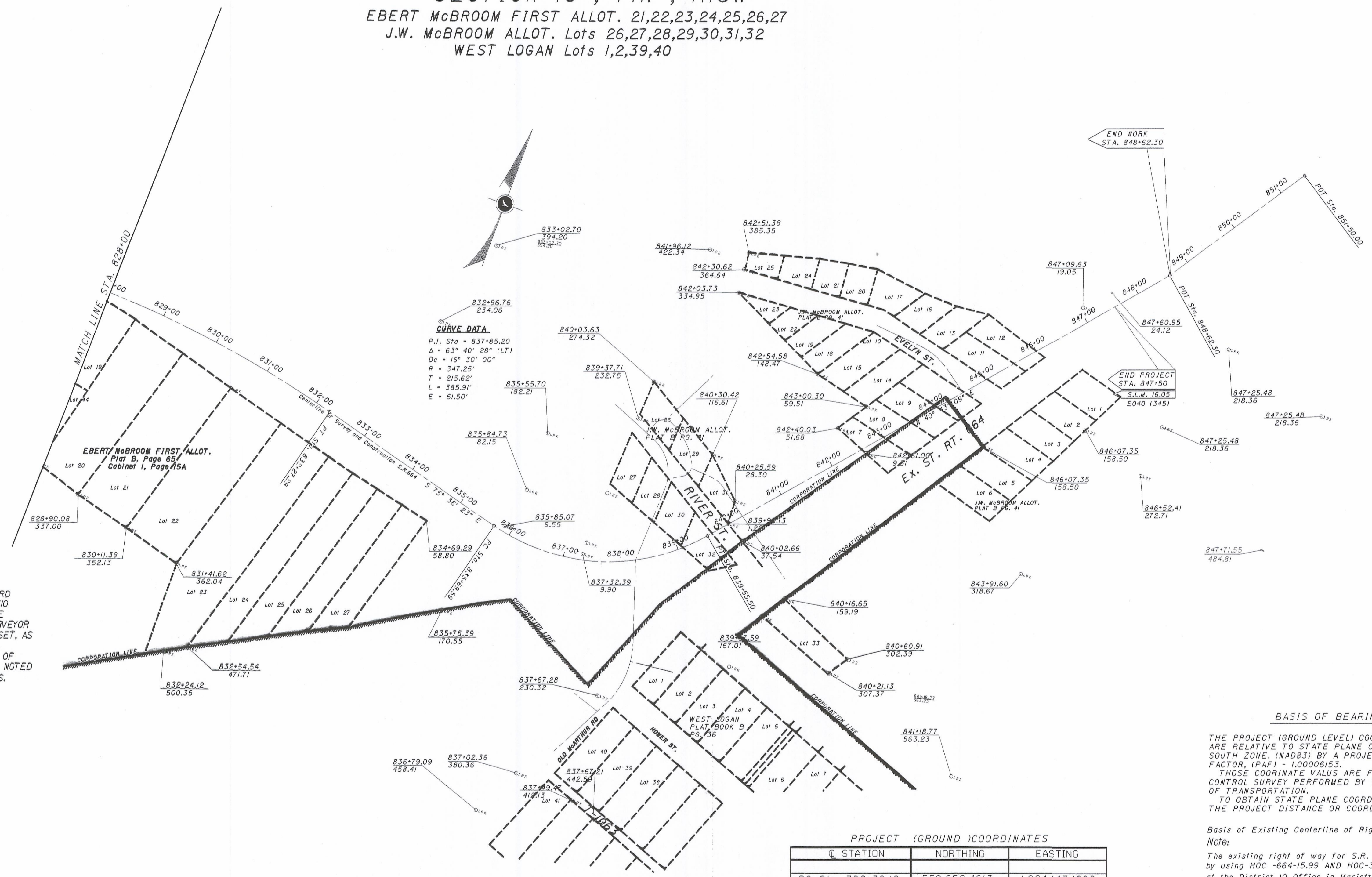
HOCKING COUNTY, FALLS TOWNSHIP
 CITY OF LOGAN
 SECTION 10, T1N, R13W
 EBERT McBROOM FIRST ALLOT. 21,22,23,24,25,26,27
 J.W. McBROOM ALLOT. Lots 26,27,28,29,30,31,32
 WEST LOGAN Lots 1,2,39,40



PID NO. 24081
 R/W DESIGNER P.L.H.
 R/W REVIEWER R.F.R.

CENTERLINE PLAT

HOC-664-15.16



CENTERLINE MONUMENTS, REFERENCE MONUMENTS AND RIGHT OF WAY MONUMENTS ARE SHOWN ON STANDARD CONSTRUCTION DRAWING RM 11M (REV. 4-8-97) OF THE OHIO DEPARTMENT OF TRANSPORTATION. THE PLACING OF THE MONUMENTS SHALL BE UNDER THE DIRECTION OF A SURVEYOR REGISTERED IN THE STATE OF OHIO AND ARE TO BE SET, AS SHOWN BY THE HIGHWAY CONTRACTOR AT THE TIME OF CONSTRUCTION. ANY ALTERATIONS, WITH PRIOR APPROVAL OF THE OHIO DEPARTMENT OF TRANSPORTATION, SHALL BE NOTED AND O.D.O.T. SHALL BE NOTIFIED OF THE NEW LOCATIONS.

CENTERLINE REFERENCE MONUMENTS

CENTERLINE MONUMENTS ARE TO BE SET DURING CONSTRUCTION AT THE FOLLOWING STATIONS AT A TOLERANCE OF ± 0.02 FT.

STATION	LF.	RT.
PT 806+59.46	36'	20'
PC 810+26.25	37'	30'
POC 815+00	30'	33'
POC 820+00	30'	33'
POC 824+50	33'	33'
POC 829+00	37'	33'
PT 832+27.29	35'	33'
PC 835+69.59	35'	34'
PT 839+55.50	40'	34'
POT 843+50.00	35'	34'
POT 847+00.00	30'	34'
TOTAL:	22	

BASIS OF BEARINGS

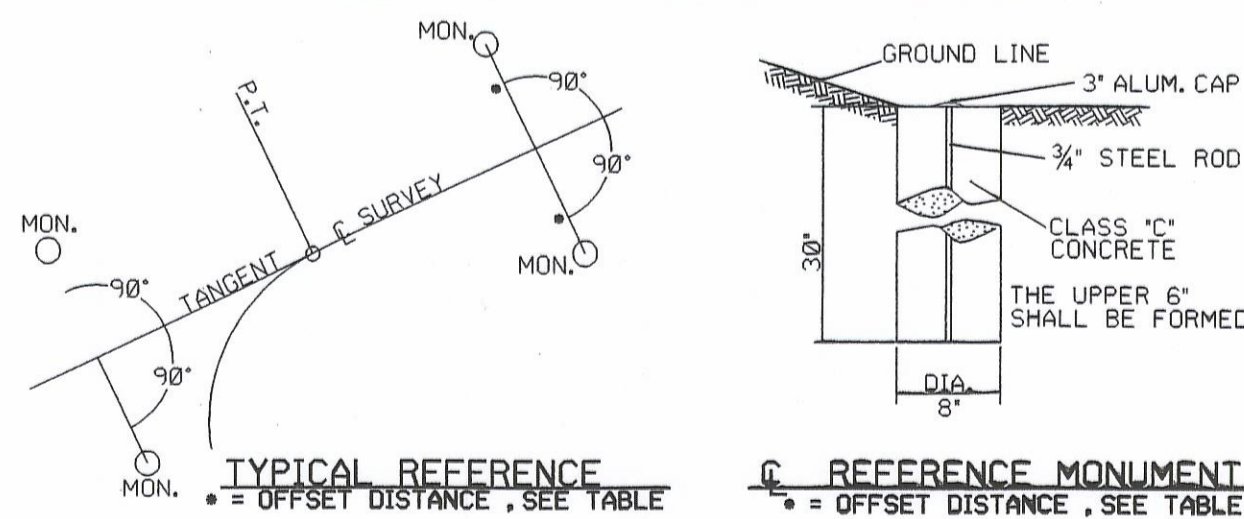
THE PROJECT (GROUND LEVEL) COORDINATE VALUES ARE RELATIVE TO STATE PLANE COORDINATES (OHIO) SOUTH ZONE, (NAD83) BY A PROJECT ADJUSTMENT FACTOR, (PAF) - 1.00006153.
 THOSE COORDINATE VALUES ARE FROM AN ACUAL GPS CONTROL SURVEY PERFORMED BY THE OHIO DEPARTMENT OF TRANSPORTATION.
 TO OBTAIN STATE PLANE COORDINATES, DIVIDE THE PROJECT DISTANCE OR COORDINATES BY THE PAF.

Basis of Existing Centerline of Right of Way Note:
 The existing right of way for S.R. 664 was determined by using HOC -664-15.99 AND HOC-33-4.21 plans on file at the District 10 Office in Marietta, Ohio.

PROJECT (GROUND) COORDINATES

STATION	NORTHING	EASTING
PC Sta. 792+30.16	559,652.4613	1,984,143.1608
PT Sta. 806+59.48	560,627.1213	1,985,177.7169
PC Sta. 810+26.25	560,922.9932	1,985,394.4674
PC Sta. 832+27.29	561,621.6303	1,987,346.7253
PC Sta. 835+69.59	561,536.5408	1,987,678.2824
PC Sta. 839+55.50	561,872.8910	1,988,027.7885
POT Sta. 848+62.30	562,233.6423	1,988,619.3430

DETAIL FOR SETTING MONUMENTS



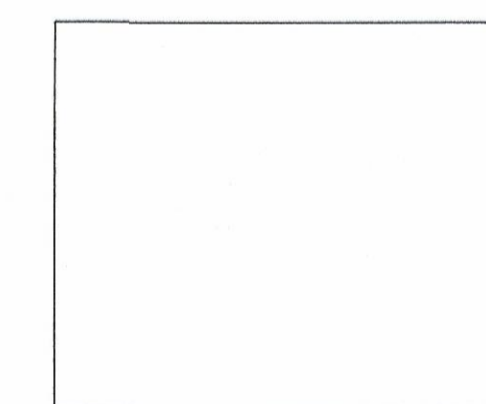
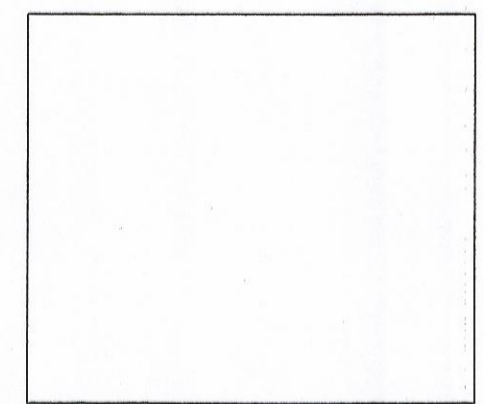
IRON PIN FOUND
 ITEM 604, CENTERLINE REFERENCE MONUMENTS SHALL BE SET BY THE CONTRACTOR, AS SHOWN ON THESE PLANS DURING CONSTRUCTION.
 THE MONUMENTS SHALL HAVE AN ACCURACY OF 0.02+ FT. AND WILL BE SET UNDER THE DIRECTION OF THE DISTRICT 10 SURVEY OPERATIONS MANAGER.

I HEREBY CERTIFY THAT THIS PLAT IS A TRUE DELINEATION OF A SURVEY MADE BY THE OHIO DEPARTMENT OF TRANSPORTATION IN 2003 AND THE ESTABLISHMENT OF THE PROPOSED PROPERTY LINES & PROPOSED RIGHT OF WAY LINES ON THESE PLANS AS OF THIS DATE WAS PERFORMED BY ME OR UNDER MY DIRECT SUPERVISION.

BY, RONALD F. RISER P.S. S-7093
 (OHIO DEPARTMENT OF TRANSPORTATION)
 SURVEYORS NO. S-7093, DATE:

I HEREBY CERTIFY THAT THIS PLAT IS A TRUE DELINEATION OF A SURVEY MADE CENTER SURVEYING GPS SERVICES, INC. & FOR OHIO DEPARTMENT OF TRANSPORTATION IN 2003 AND THE ESTABLISHMENT OF THE PROPERTY LINES & EXISTING RIGHT OF WAY LINES ON THESE PLANS AS OF THIS DATE WAS PERFORMED BY ME OR UNDER MY DIRECT SUPERVISION.

BY, ROBERT C. CANTER P.S. S-7226
 (CANTER SURVEYING GPS SERVICES, INC.)
 SURVEYORS NO. S-7226, DATE:



PLAN COMPLETED: 11-20-03

REV	DATE	DESCRIPTION

I:\project\hoc664\ph664r.w.dgn 20-AUG-2004 11:03AM phukill