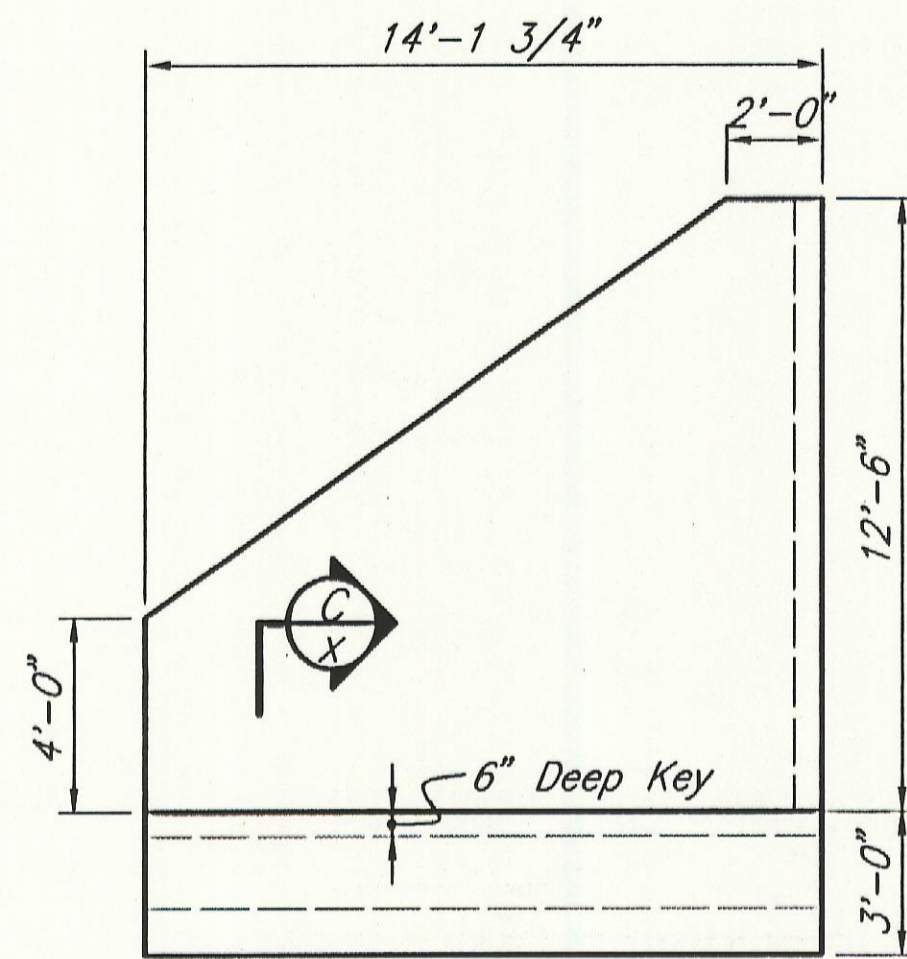
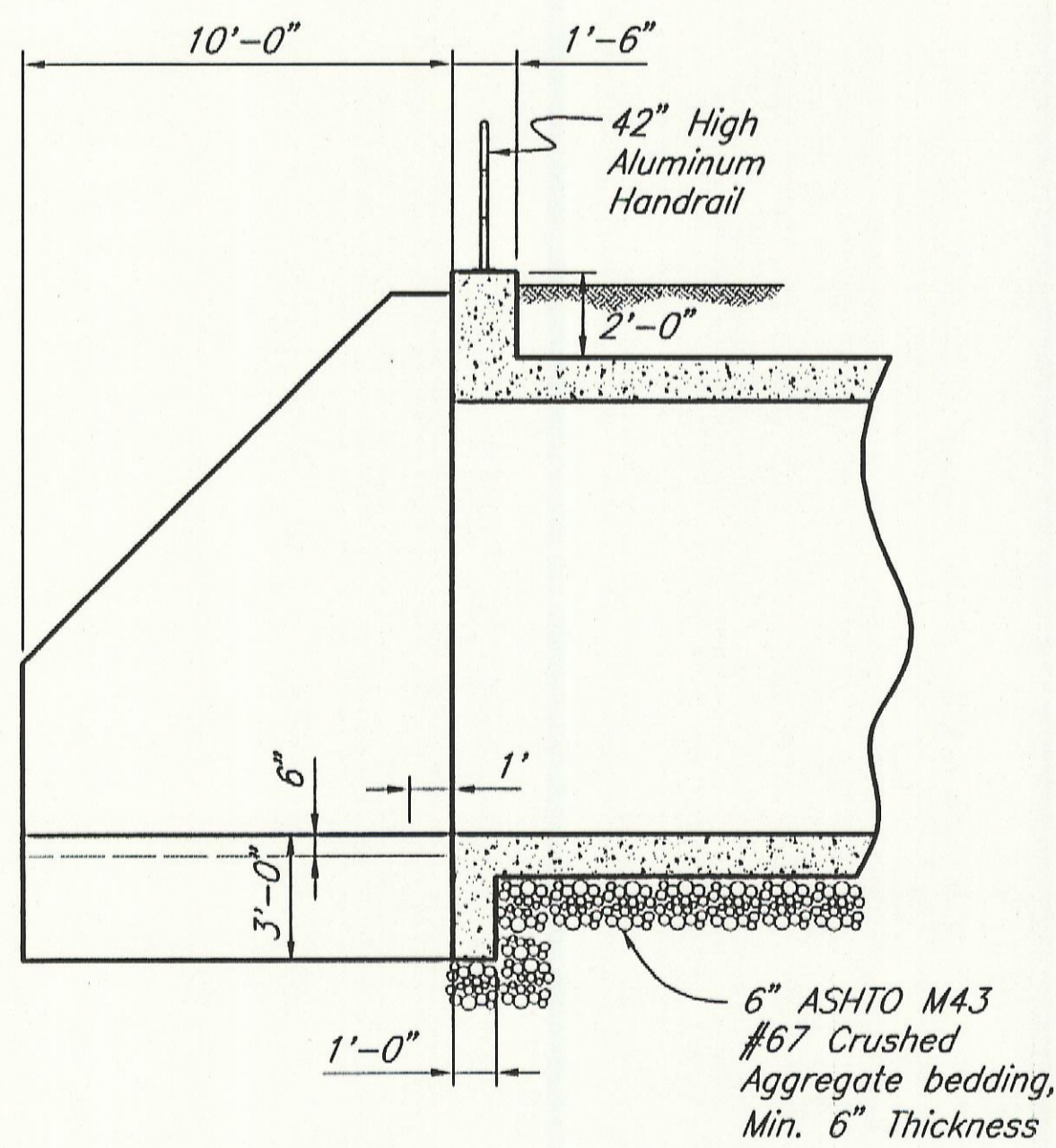


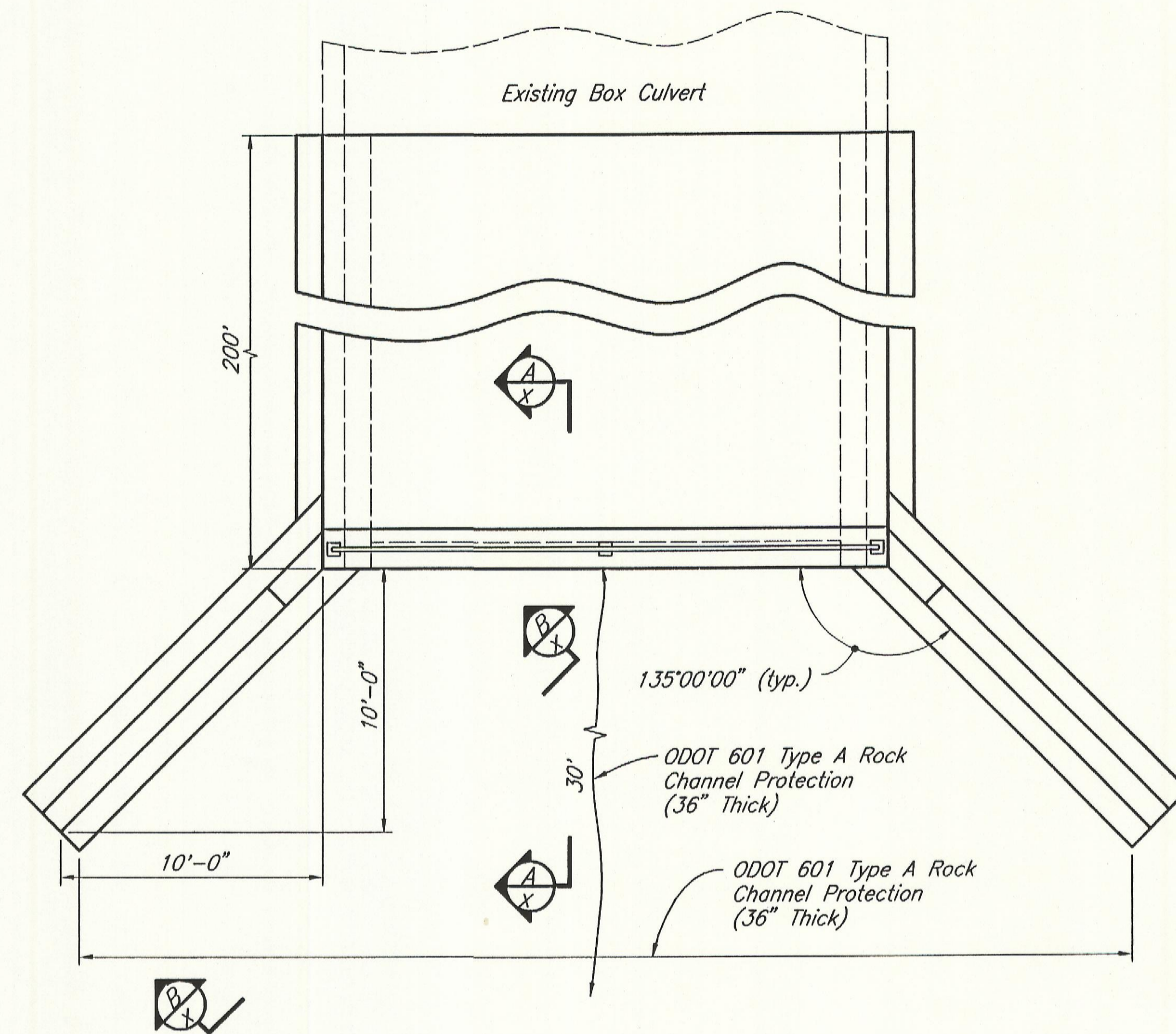
SECTION C-C
 Scale : 1/2" = 1'-0"



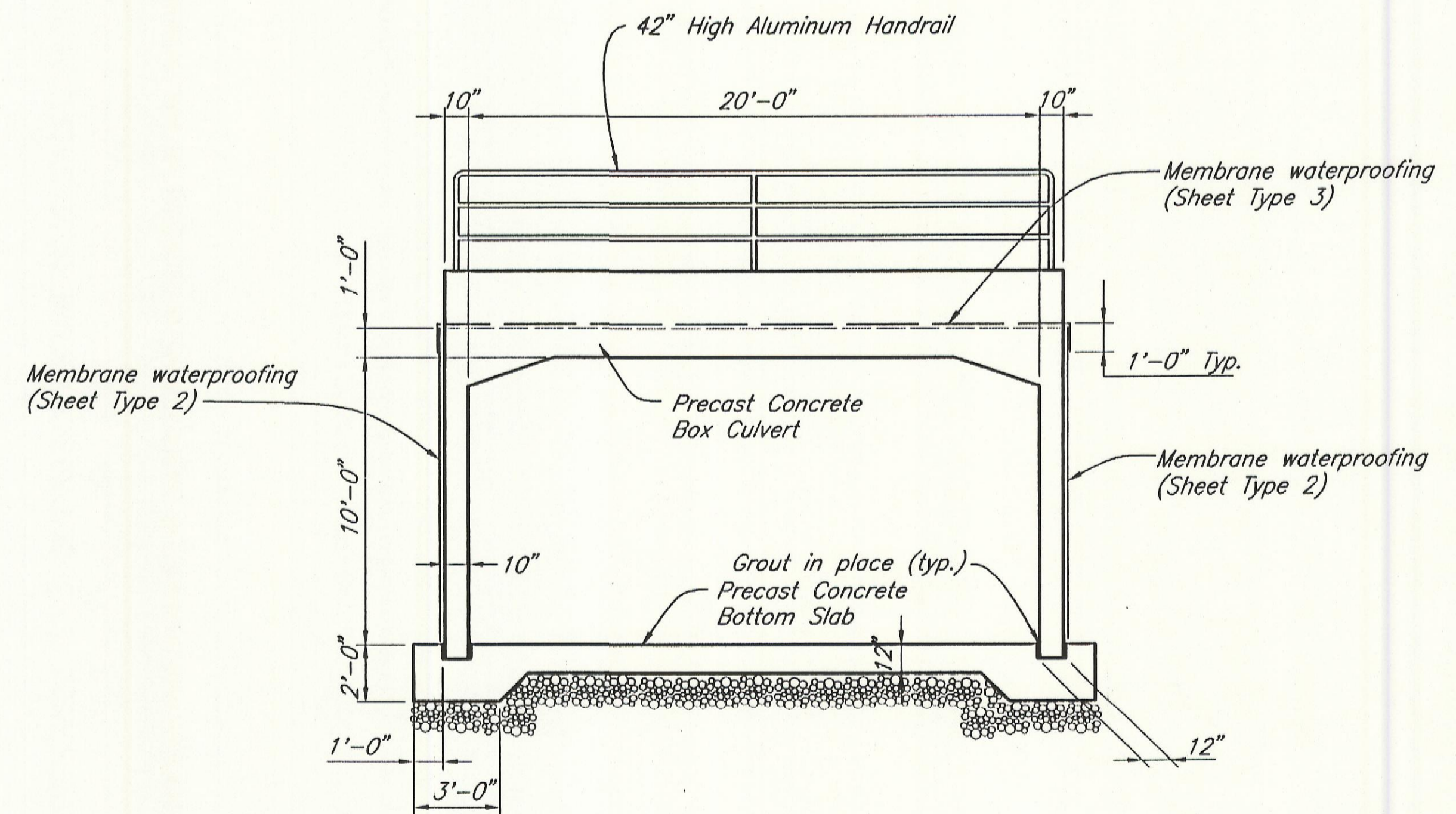
SECTION B-B
 Scale : 1/4" = 1'-0"



SECTION A-A
 Scale : 1/4" = 1'-0"



TYPICAL CULVERT DETAIL - PLAN
 Scale : 1/4" = 1'-0"



TYPICAL CULVERT DETAIL - ELEVATION
 Scale : 1/4" = 1'-0"