

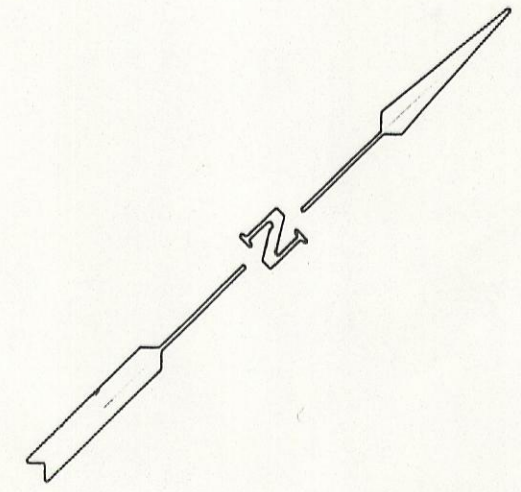
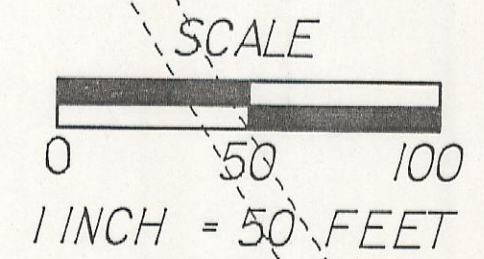
CENTERLINE SURVEY PLAT

HOC - 93 - 13.26

HOCKING COUNTY, FALLS TOWNSHIP

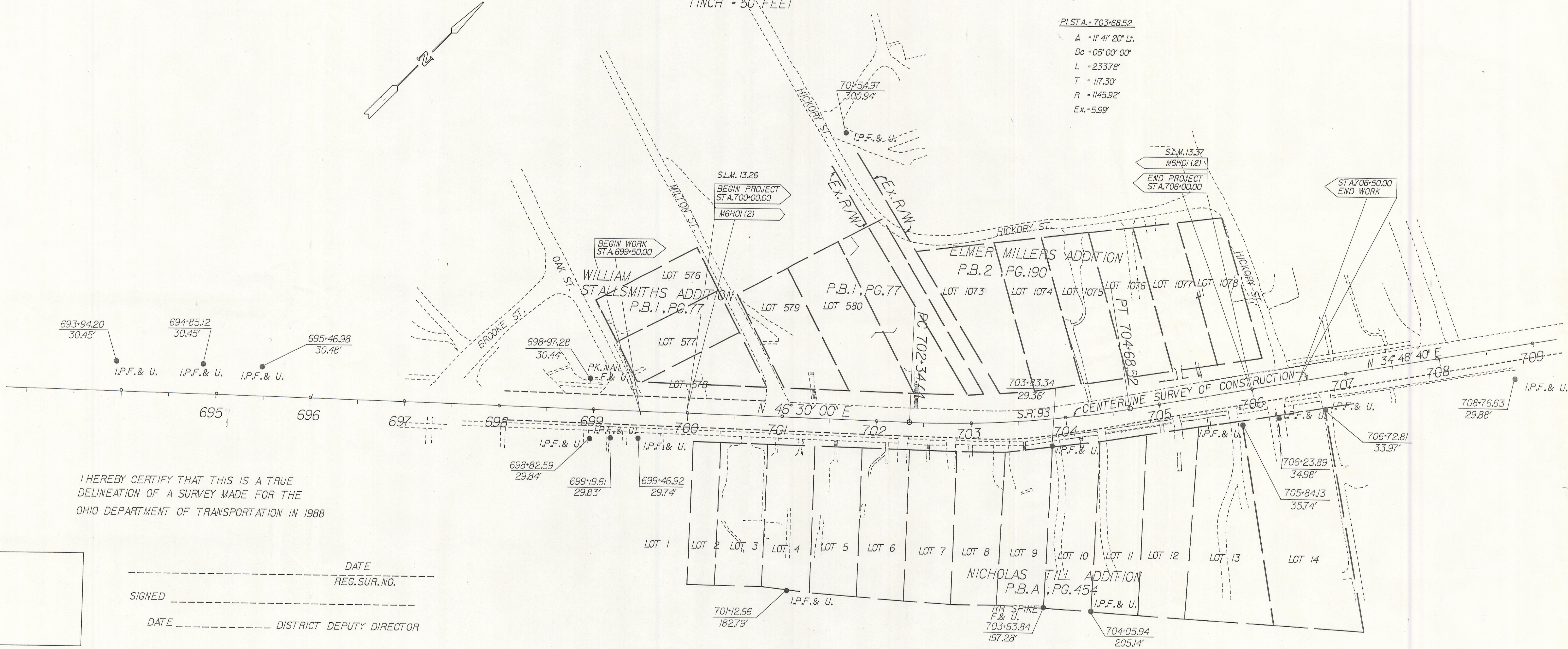
CITY OF LOGAN SECTION 12, T.14N, R.17W

CALC. BY: P.L.H.	HOC-93-13.26	OHIO	41 45
DATE: 5-9-91		FHWA 5 REGION	1 5
CHK'D BY:			
DATE:			
FEDERAL PROJECT: M6H01 (2)	STATE PROJECT:	107610	



PI STA - 703+68.52
 Δ - 11' 41" 20' Lt.
 D_c - 05' 00" 00"
 L - 233.78'
 T - 117.30'
 R - 1145.92'
 $Ex.$ - 5.99'

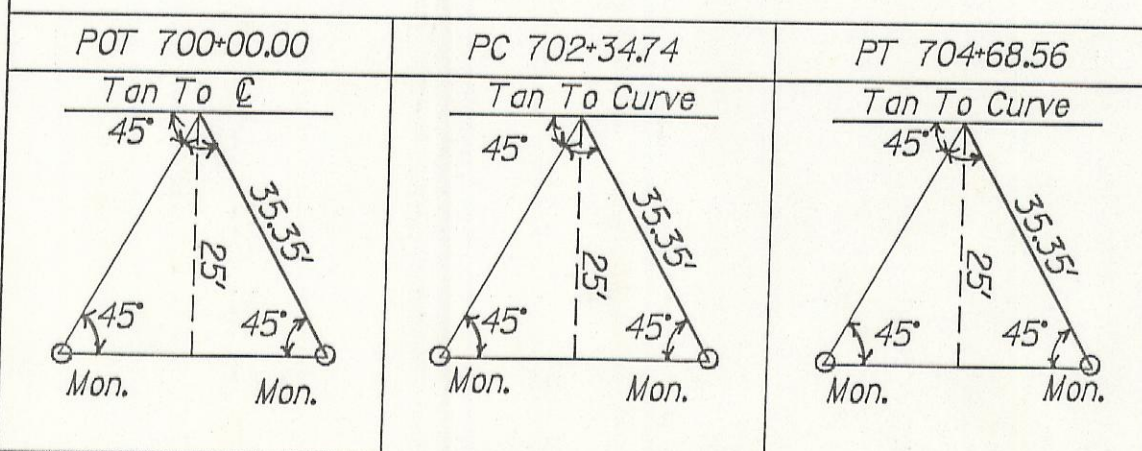
RECEIVED _____ 19
 RECORDED _____ 19
 BOOK _____ PAGE _____
 COUNTY RECORDER



HEREBY CERTIFY THAT THIS IS A TRUE
 DELINEATION OF A SURVEY MADE FOR THE
 OHIO DEPARTMENT OF TRANSPORTATION IN 1988

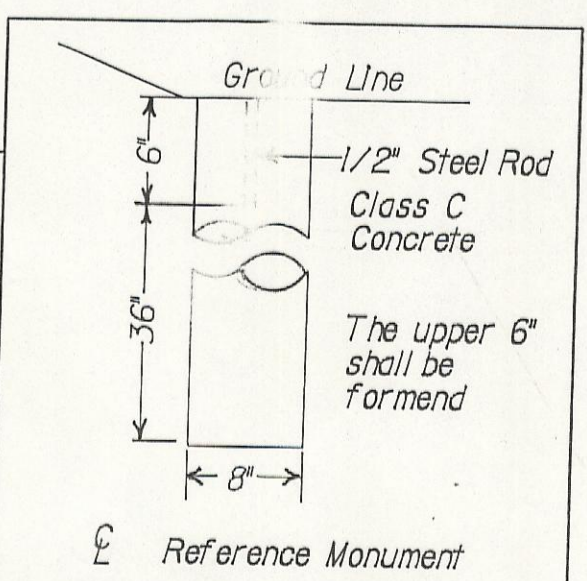
DATE _____
 REG. SUR. NO. _____
 SIGNED _____
 DATE _____ DISTRICT DEPUTY DIRECTOR

SEAL



Centerline Reference Monuments to be set left and right of Centerline at the following locations during construction of S.R.(93)

POT 706+50.00	25' LT. 25' Rt.



ITEM 604 CENTERLINE REFERENCE MONUMENTS SHALL BE SET BY THE CONTRACTOR AS SHOWN ON THESE PLANS DURING CONSTRUCTION. THE MONUMENTS WILL HAVE AN ACCURACY OF ± 0.02 FEET. THE MONUMENTS WILL BE SET UNDER THE DIRECTION OF THE DISTRICT 10 SURVEY SUPERVISOR.

REV.	DATE	DESCRIPTION