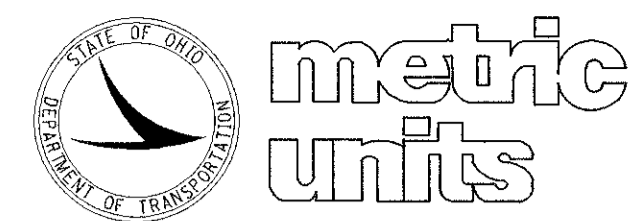
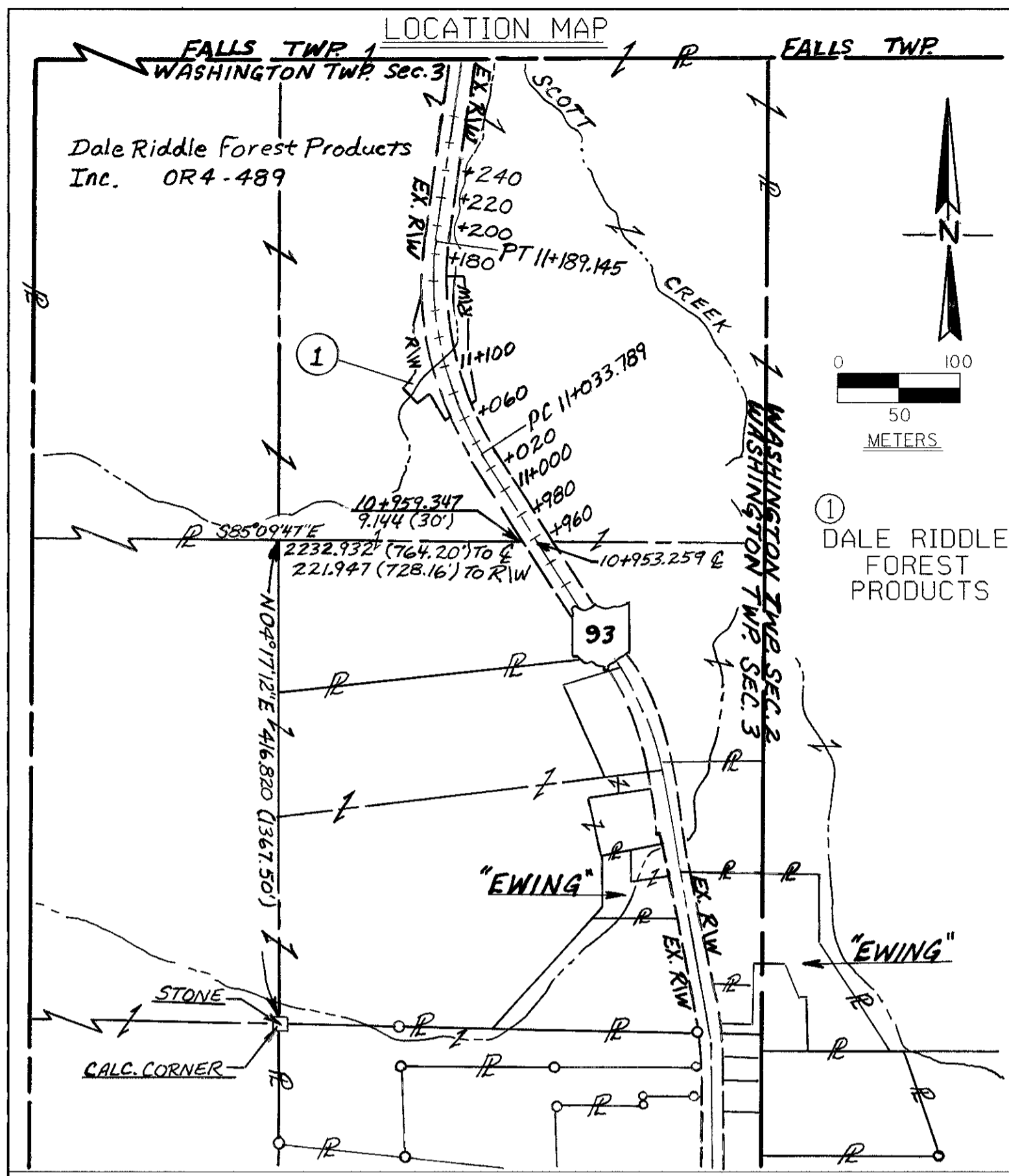
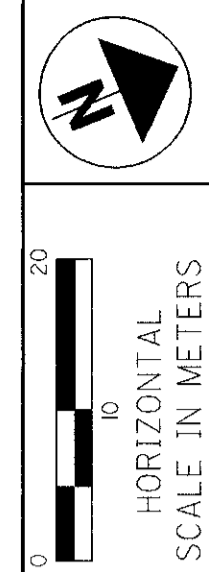


STATE OF OHIO
DEPARTMENT OF TRANSPORTATION
HOCKING COUNTY
WASHINGTON TOWNSHIP
SECTION 3, T13N, R17W



BASSIS FOR BEARINGS.
ALL BEARINGS SHOWN ARE FOR PROJECT USE ONLY. THESE BEARINGS ARE TO AN ASSUMED MERIDIAN & THEY ARE USED TO DELINEATE ANGLES ONLY, & ARE FROM SURVEYS MADE BY THE O.D.O.T. SURVEY DEPARTMENT & EXISTING RIGHT OF WAY PLANS ON RECORD IN THE DISTRICT OFFICE.

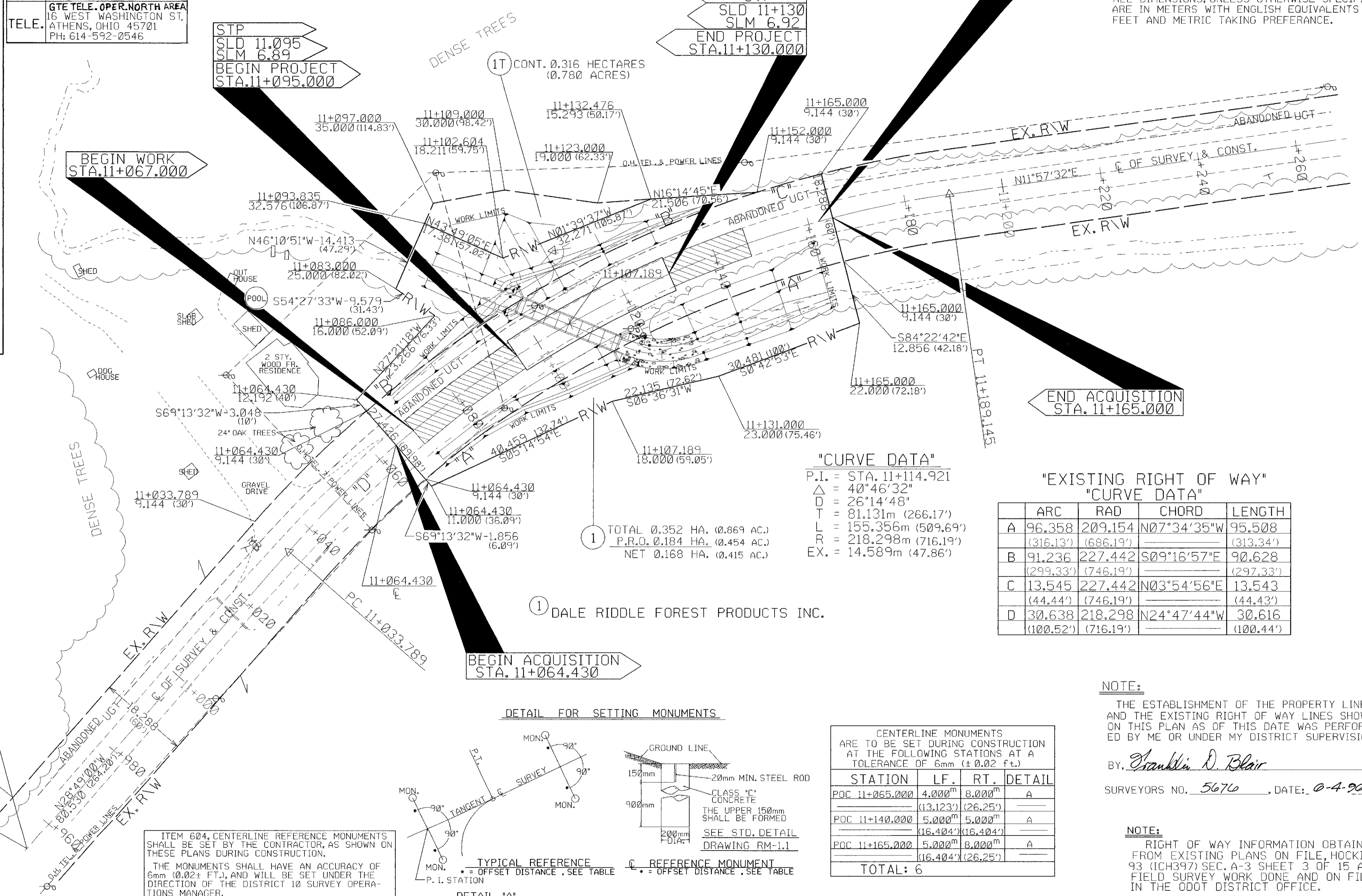
NOTE:
ALL DIMENSIONS, UNLESS OTHERWISE SPECIFIED ARE IN METERS WITH ENGLISH EQUIVALENTS IN FEET AND METRIC TAKING PREFERENCE.



UTILITIES OWNER & ADDRESSES

ELEC.	AEP (OHIO POWER CO.) 1 RIVERSIDE PLAZA METAL FORGE COLUMBUS, OHIO 43215 PH: 614-223-1579
TELE.	GTE TELE. OPER. NORTH AREA 16 WEST WASHINGTON ST. ATHENS, OHIO 45701 PH: 614-592-0546

NOTE:
THE LOCATION OF THE UNDERGROUND UTILITIES SHOWN ON THE PLANS ARE AS OBTAINED FROM THE OWNERS OF THE UTILITY AS REQUIRED BY SECTION 153.64 O.R.C.

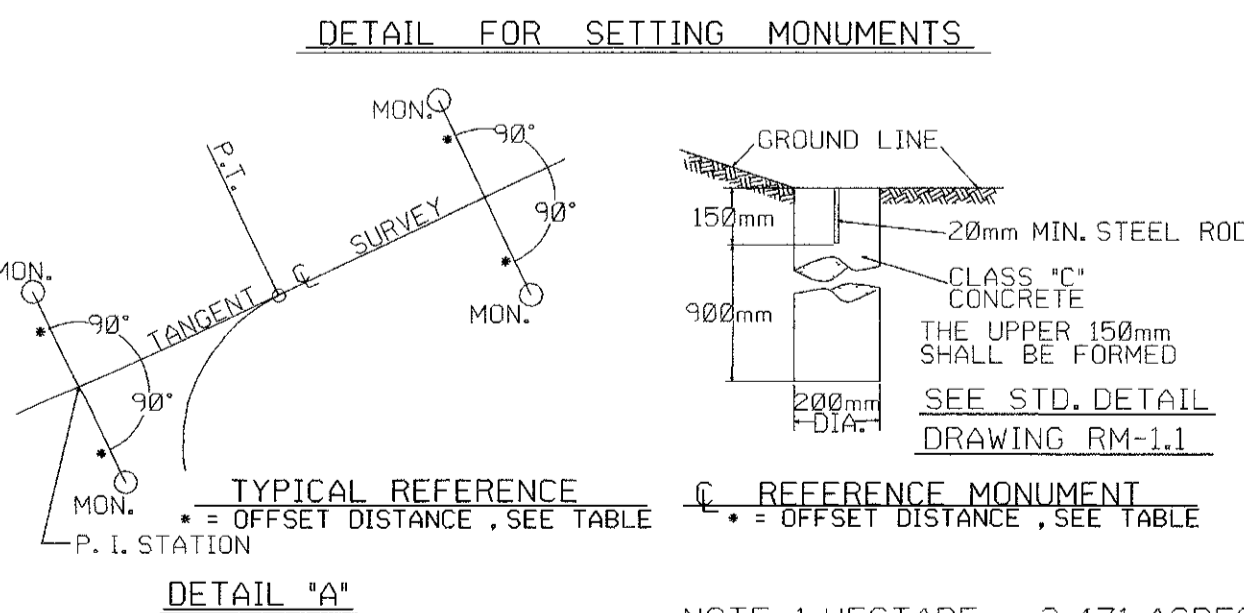
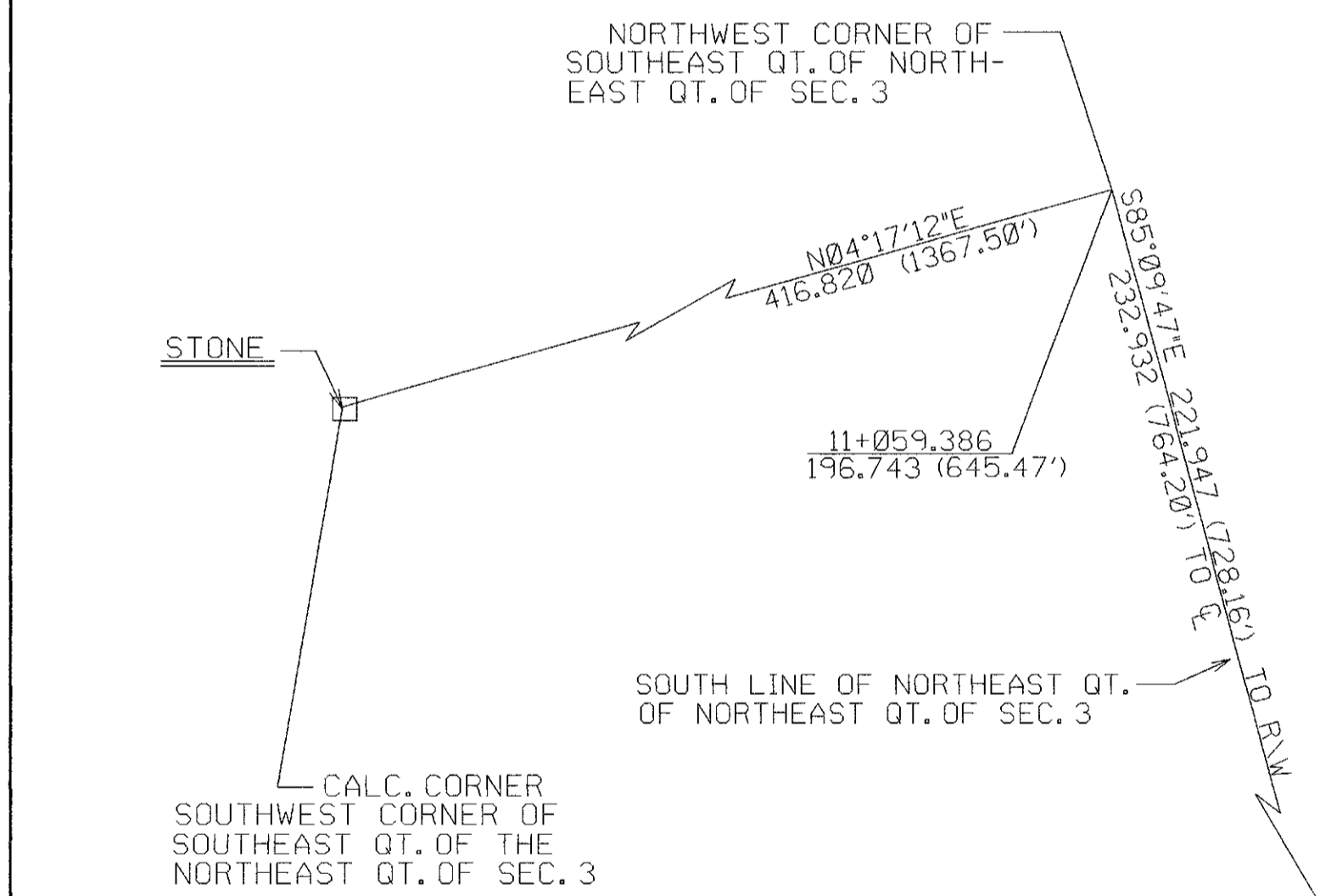


"CURVE DATA"

P.I. = STA. 11+114.921
 Δ = 40°46'32"
 D = 26°14'48"
 T = 81.131m (266.17')
 L = 155.356m (509.69')
 R = 218.298m (716.19')
 EX. = 14.589m (47.86')

"EXISTING RIGHT OF WAY" "CURVE DATA"

	ARC	RAD	CHORD	LENGTH
A	96.358 (316.13')	209.154 (686.19')	N07°34'35"W	95.508 (313.34')
B	91.236 (299.33')	227.442 (746.19')	S09°16'57"E	90.628 (297.33')
C	13.545 (44.44')	227.442 (746.19')	N03°54'56"E	13.543 (44.43')
D	30.638 (100.52')	218.298 (716.19')	N24°47'44"W	30.616 (100.44')



CENTERLINE MONUMENTS ARE TO BE SET DURING CONSTRUCTION AT THE FOLLOWING STATIONS AT A TOLERANCE OF 6mm (± 0.02 ft.).

STATION	LF.	RT.	DETAIL
POC 11+065.000	4.000 ^m	8.000 ^m	A
	(13.123')	(26.25')	
POC 11+140.000	5.000 ^m	5.000 ^m	A
	(16.404')	(16.404')	
POC 11+165.000	5.000 ^m	8.000 ^m	A
	(16.404')	(26.25')	
TOTAL: 6			

NOTE:
THE ESTABLISHMENT OF THE PROPERTY LINES AND THE EXISTING RIGHT OF WAY LINES SHOWN ON THIS PLAN AS OF THIS DATE WAS PERFORMED BY ME OR UNDER MY DISTRICT SUPERVISION.

BY: *Franklin D. Blair*
SURVEYORS NO. 5676, DATE: 6-4-96

NOTE:
RIGHT OF WAY INFORMATION OBTAINED FROM EXISTING PLANS ON FILE, HOCKING 93 (1CH397) SEC. A-3 SHEET 3 OF 15 AND FIELD SURVEY WORK DONE AND ON FILE IN THE ODOT DISTRICT OFFICE.

SUMMARY OF ADDITIONAL RIGHT OF WAY

TOTAL NUMBER OF :
 1 OWNERSHIPS
 0 TOTAL TAKES
 0 OWNERSHIPS WITH STRUCTURES INVOLVED
 0 OWNERSHIPS WITH "P" ITEMS

PARCEL NO.	OWNER	SHEET NO.	OWNERS BOOK	RECORD PAGE	AUDITOR'S PARCEL	RECORD AREA(AC.)	TOTAL P.R.O.	GROSS TAKE	P.R.O. IN TAKE	NET TAKE	STRUC-TURE	NET RESIDUE LEFT	TYPE FUND	REMARKS AND PERSONALTY	AS ACQUIRED BOOK PAGE
1	DALE W. RIDDLE FOREST PRODUCTS, INC.		O.R. 4	489	19-000032.0000	63.188 HA.	1.314 HA.	0.352 HA.	0.184 HA.	0.168 HA.	NONE	48.980 HA.	STATE	EASEMENT	
IT						156.136 AC.	3.248 AC.	0.869 AC.	0.454 AC.	0.415 AC.		121.028 AC.	STATE	TO CONSTRUCT SLOPE FOR DRAINAGE	
								0.316 HA.	0.000 HA.	0.316 HA.	NONE	0.780 AC.	STATE		

REV.	DATE	DESCRIPTION
	6-4-96	

FEDERAL PROJECT NO. STP
 STATE JOB NO. 109520
 PID NO. 12082
 RIGHT OF WAY STA. 11+000 TO 11+260
 HOC-93-11.095 (6.89)
 19
 19